

ENERPAC 

POW'R-RISER® Lifting Jack



**Safe and efficient lifting
and load holding with a
self-contained mobile jack**

ENERPAC 
POWERFUL SOLUTIONS. GLOBAL FORCE.

▼ Shown: PRASA10027L



Safe, Efficient, Mobile Load Lifting

- 60, 100, 150 and 200-ton capacities with pneumatic or electric pumps for the toughest jobs
- 4" ground clearance for transport over rail and rough terrain
- Three position handle provides easy tilt back and transport
- Complies with ASME/ANSI B30.1 specifications
- Easy to change external filter minimizes down time
- Rugged, fully enclosed 24" wide frame with no exposed fittings or hoses
- SUP-R-STACK™ Extension System allows lifting at all heights without blocking



Standard 12' pendant cord for air driven units with pneumatic valves and 20' pendant cord for electric driven units keeps operator away from the load.

▼ Versatility for rail maintenance. One jack for all cars from Intermodal to High Hopper with 28 heights in between.



Capacity	Stroke	Electric Pump Model Number	Weight
(ton)	(in)	(115 VAC)	(lbs)
60	14	PREMB06014L	390
	27	PREMB06027L	600
100	16	PREMB10016L	510
	27	PREMB10027L	600
	16	-	-
150	27	-	-
	15.5	-	-
	26.5	-	-
	15.5	PREMB15016L	570
200	26.5	PREMB15027L	708
	15.5	-	-
	26.5	-	-

(PR-Series not available in Canada. Contact Enerpac.)

POW'R-RISER Lifting Jack



SUP-R-STACK™ Extensions

Increase useful height from 5" to 18".

Model No.	Size (in)	Model No.	Size (in)
PRE5	5	PRE11	11
PRE7	7	PRE14	14
PRE9	9	PRE18	18
PRES6024	Extension set includes PRE5, PRE7, PRE11 and PRE18		



Spacers

Fine tune your Extension stack height.

Model No.	Size (in)	Model No.	Size (in)
PRS1	1	PRS3	3
PRS2	2	-	-
PRS4	Set includes (2) PRS1, (1) PRS2 and (1) PRS3		

PR Series



Rated Lifting Capacity:

60-200 tons

Stroke:

14-27 inches

Maximum Operating Pressure:

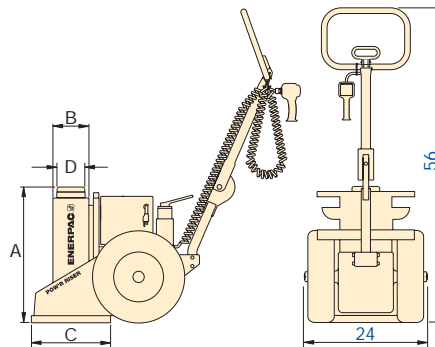
10,000 psi

Cap. (ton)	Swivel Load Cap	Locking U-Rings					Set Model Number	Locking U-Ring Sets Include
		1 in.	3 in.	4½ in.	5½ in.	10 in.		
60	PRTS60	PRU11	PRU13	PRU14	-	PRU110	¹ PRUS126	(2) PRU11, (1) PRU13, (2) PRU14
							² PRUS137	(2) PRU11, (1) PRU13, (2) PRU14 (1) PRU110
100	PRTS60	PRU11	PRU13	PRU14	-	PRU110	¹ PRUS126	(2) PRU11, (1) PRU13, (2) PRU14
							² PRUS137	(2) PRU11, (1) PRU13, (2) PRU14 (1) PRU110
150	PRTS150	PRU151	PRU153	-	PRU155	PRU1510	³ PRUS1526	(2) PRU151, (1) PRU153, (2) PRU155
							² PRUS1537	(2) PRU151, (1) PRU1510, (2) PRU155
200	PRTS200	PRU201	PRU203	-	PRU205	PRU2010	³ PRUS2026	(2) PRU201, (1) PRU203, (2) PRU205
							² PRUS2037	(2) PRU201, (1) PRU2010, (2) PRU205

¹ For 14 and 16" stroke models

² For 27" stroke models

³ For 15.5" stroke models



Dimensions shown in inches.



WARNING!

Extensions: Any two Extensions may be stacked for loads up to 60 tons. For loads over 60 tons or strokes over 14" only one Extension and one Spacer can be used.

Spacers: Never exceed 3" in total Spacer height.

Air Pump	Weight (lbs)	A	B	C	D	Max. Additional Stack Height Using Optional Ext. System (in)	Valve Type
PRAMA06014L	390	24	6.4	14	4	32*	Manual
PRAMA06027L	600	37	6.4	14	4	11	
PRAMA10016L	510	26	7.0	18	4	21**	Pneumatic
PRAMA10027L	600	37	7.0	18	4	11	
PRASA10016L	510	26	7.0	18	4	21**	
PRASA10027L	600	37	7.0	18	4	11	
PRASA15016L	570	26	8.0	18	5	21**	Pneumatic
PRASA15027L	708	37	8.0	18	5	11	
-	-	26	8.0	18	5	21**	Manual
-	-	37	8.0	18	5	11	
PRASA20016L	640	26	9.5	18	6	21**	Pneumatic
PRASA20027L	825	37	9.5	18	6	11	

* Based on one 18" and one 11" Extension and one 3" Spacer.

** Based on one 18" Extension and one 3" Spacer.

For power source, the following characters should be inserted in the 5th space of the model number.

Ordering Example:

Model No. PREMI06014L is a 14" stroke, 60 ton model, with a manual valve and a 208-240 VAC, 1-ph electric motor.

- A Air Pump, 50 scfm, 80 psi
- B 115 VAC, 1-ph., 50-60 Hz, 20 A
- E 208-240 VAC, 1-ph., 50-60 Hz, Euro Plug, 10 A
- I 208-240 VAC, 1-ph., 50-60 Hz, USA Plug, 10 A
- G ¹208-240 VAC, 3-ph., 50-60 Hz
- W ¹380-415 VAC, 3-ph., 50-60 Hz
- J ¹440-480 VAC, 3-ph., 50-60 Hz
- R ¹575 VAC, 3-ph., 50-60 Hz

¹ Not available for 60-ton capacity

POW'R-RISER® Lifting Jack



ENERPAC

The Industrial Tools Line

Cylinders

- General Purpose
- Pancake
- Aluminum Lightweight
- Low Height
- Heavy-duty
- Hollow Plunger
- Industrial
- Pull
- Long Stroke
- Jacks
- Spread

Pumps

- Manual
- Electric Driven
- Compressed Air Driven
- Petrol Driven

System Components

- Hoses, Couplers, Oil
- Gauges, Adaptors
- Manifolds, Fittings

Valves

- 3- and 4-Way Directional
- Pressure and Flow Control

Presses

- Bench and Workshop
- Roll Frame Presses
- Arbor and C-Clamps

Pullers

- Master Pullers Sets
- Multi Purpose Puller Sets
- Posi Lock® Pullers

Tools

- Maintenance Sets
- Punches
- Machine Lifts
- Load Skates
- Cutters
- Pipe Benders

Bolting Tools

- Nut Splitters
- Flange/Wedge Spreaders
- Flange Alignment Tools
- Torque Wrenches
- Hydraulic Wrench Pumps
- Twin Safety Hoses

Integrated Hydraulic Solutions

- Synchronous Lifting and Weighing
- Heavy Lifting (Strand Jacking Systems)
- Concrete Stressing Products
- Hydraulic Construction Solutions
- Permanent Hydraulic Installations

Enerpac Worldwide Locations

Africa

ENERPAC Middle East FZE
Office 423, JAFZA 15
P.O. Box 18004
Jebel Ali, Dubai
United Arab Emirates
Tel:+971 (0)4 8872686
Fax:+971 (0)4 8872687

Australia, New Zealand

Actuant Australia Ltd.
Block V Unit 3
Regents Park Estate
391 Park Road
Regents Park NSW 2143
(P.O. Box 261) Australia
Tel:+61 297 438 988
Fax:+61 297 438 648

Brazil

Power Packer do Brasil Ltda.
Rua dos Inocentes, 587
04764-050 - Sao Paulo (SP)
Tel:+55 11 5687 2211
Fax:+55 11 5686 5583
Toll Free: 0800 891 5770
vendasbrasil@enerpac.com

Canada

Actuant Canada Corporation
6615 Ordan Drive, Unit 14-15
Mississauga, Ontario L5T 1X2
Tel:+1 905 564 5749
Fax:+1 905 564 0305
Toll Free:
Tel: +1 800 268 4987
Fax:+1 800 461 2456
Technical Inquiries:
techservices@enerpac.com

China

Actuant Industries Co Ltd.
No. 6 Nanjing Road
Taicang Economic Dep Zone
Jiangsu, China
Tel:+86 0512 5328 7529
+86 0512 5328 7500 7529
Fax:+86 0512 5335 9690
Actuant China Ltd. (Beijing)
709B Diyang Building
Xin No. 2
Dong San Huan North Rd.
Beijing City, 100028 China
Tel: +86 10 845 36166
Fax:+86 10 845 36220

Japan

Applied Power Japan LTD KK
Besshocho 85-7
Kita-ku, Saltama-shi 331-0821
Japan
Tel:+81 48 662 4911
Fax:+81 48 662 4955

France and Switzerland

ENERPAC Une division de ACTUANT
France S.A.
ZA de Courtaboeuf
32, avenue de la Baltique
91140 VILLEBON /YVETTE
France
Tel:+33 1 60 13 68 68
Fax:+33 1 69 20 37 50

Germany, Austria, Switzerland, Greece, Central and Eastern Europe

ENERPAC GmbH
P.O. Box 300113
D-40401 Düsseldorf
Willstätterstrasse 13
D-40549 Düsseldorf Germany
Tel:+49 211 471 490
Fax:+49 211 471 49 28

India

ENERPAC Hydraulics
(India) Pvt. Ltd.
No. 1A, Peenya Industrial Area,
IInd Phase,
Bangalore, 560 058
India
Tel:+91 80 40 792 777
Fax:+91 80 40 792 792

Italy

ENERPAC S.p.A.
Via Canova 4
20094 Corsico (Milano)
Tel:+39 02 4861 111
Fax:+39 02 4860 1288

Middle East, Turkey and Caspian Sea

ENERPAC Middle East FZE
Office 423, JAFZA 15
P.O. Box 18004
Jebel Ali, Dubai
United Arab Emirates
Tel:+971 (0)4 8872686
Fax:+971 (0)4 8872687

Russia and CIS

(excl. Caspian Sea Countries)
Actuant LLC
Admiral Makarov Street 8
125212 Moscow
Russia
Tel:+7-495-9809091
Fax:+7-495-9809092

Scandinavia

Enerpac Scandinavia AB
Fabriksgatan 7
41250 Gothenburg
Sweden
Tel:+46 31 7990281
Fax:+46 31 7990010

Singapore

Actuant Asia Pte Ltd.
37C, Benoi Road Pioneer Lot,
Singapore 627796
Tel:+65 68 63 0611
Fax:+65 64 84 5669
Toll Free:
Tel: +1800 363 7722
Technical Inquiries:
techsupport@enerpac.com.sg

South Korea

Actuant Korea Ltd.
3Ba 717, Shihwa Industr. Complex
Jungwang-Dong, Shihung-Shi,
Kyunggi-Do
Republic of Korea 429-450
Tel:+82 31 434 4506
Fax:+82 31 434 4507

Spain and Portugal

ENERPAC SPAIN, S.L.
Avda. Los Frailes 40 – Nave C & D
Pol. Ind. Los Frailes
28814 Daganzo de Arriba (Madrid)
Spain
Tel:+34 91 661 11 25
Fax:+34 91 661 47 89

The Netherlands, Belgium, Luxembourg, Denmark, Norway, Finland, Baltic States

ENERPAC B.V.
Galvanistraat 115, 6716 AE Ede
P.O. Box 8097, 6710 AB Ede
The Netherlands
Tel:+31 318 535 911
Fax:+31 318 525 613
+31 318 535 848
Technical Inquiries Europe:
techsupport.europe@enerpac.com
ENERPAC
Daalackerweg 24
6041 BL Roermond
P.O. Box 49, 6040 AA, Roermond
The Netherlands
Tel:+31 475 355 000
Fax:+31 475 331 774

United Kingdom and Ireland

ENERPAC Ltd.,
Bentley Road South
Darlaston, West Midlands
WS10 8LQ, England
Tel:+44 (0)121 50 50 787
Fax:+44 (0)121 50 50 799

USA, Latin America and Caribbean

ENERPAC
P.O. Box 3241
6100 N. Baker Road
Milwaukee, WI 53209 USA
Tel:+1 262 781 6600
Fax:+1 262 783 9562
User inquiries:
+1 800 433 2766
Distributor inquiries/orders:
+1 800 558 0530
Technical Inquiries:
techservices@enerpac.com
ENERPAC
704 W. Simonds
Dallas, TX 75159, USA
Tel: +1 972 287 2390
Fax:+1 972 287 4469

102808

e-mail: info@enerpac.com
Internet: www.enerpac.com

Your Enerpac Distributor: