

# Engineered for Precision Control of Very Low Pressure Natural Gas systems

Fairchild's new 24XFS Motorized Regulator is specially engineered for ultra high sensitivity at very low outlet pressures, such as where 0-12 inch water column pressures are encountered in Natural Gas distribution and transmission applications.

Contact your local Fairchild distributor or Fairchild's Application support Team today at (336) 659-3400 to discuss the Model 63 and our complete line of precise, reliable process and control products.

## NEW LOW Pressure HIGH Sensitivity Motorized Regulator

The Fairchild **24XFS Motorized Regulator** provides automated **lock in last position** control for low pressure natural gas applications. With its extra large diaphragm and pulse DC voltage control, the **24XFS** will provide high precision control and can be set for very **low speed operation** to ensure smooth consistent performance.

Put a **24XFS** to work on your low pressure application today for dependable, maintenance free operation!



## Model 2400 Motorized Regulator

### Specifications

Range	0-20" Water
Consumption	None Detected
Supply Pressure	0-20 psi continuous up to 60 psi intermittent
Power Supply	12-24 VDC
Materials	Stainless Trim; Aluminum Housings

Submersible to 6 feet

#### Recommended Installation:

- 1/2" OD piping from the 24XFS Outlet
- 3/8" OD piping to vent the bonnet (if desired)

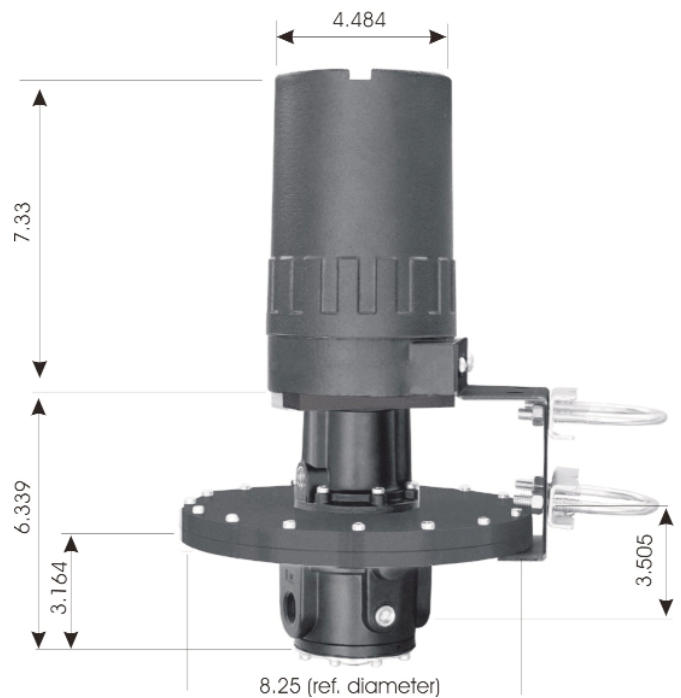
#### Information

- Additional technical information available on our website at [www.fairchildproducts.com](http://www.fairchildproducts.com).
- Solidworks and CAD drawings available upon request.
- Canadian Registration Numbers (CRN) certification

Please visit our website at [www.fairchildproducts.com](http://www.fairchildproducts.com) to find the nearest authorized distributor.

## Ordering Information

Catalog Number	2	4	X	F	S	4	A	8	A	0	0	2
DC Pulse .....					S							
Model 4000A .....						4A						
DC Pulse Input with 24VDC Clock Generator Control .....							8A					
DC Motor .....									00			
FM Explosion-Proof Enclosure .....												2



ISO 9001:2000  
Certified

