

Bronze Body Valves	
Specifications.....	2
Dimensions.....	3
Stainless Steel Body Valves	
Specifications.....	4
Dimensions.....	5
Options	
Flanges.....	6
Extended Bonnet.....	6
Accessories	
Positioner.....	7
I/P Transducers.....	8
Filter/Regulator.....	8
Solenoid Valve.....	8
Ordering Information.....	9
Technical Data	
Sizing & Selection.....	10-13
Flow vs. % Stroke.....	14-15
Offer of Sale.....	17



WARNING

FAILURE OR IMPROPER SELECTION OR IMPROPER USE OF THE PRODUCTS AND/OR SYSTEMS DESCRIBED HEREIN OR RELATED ITEMS CAN CAUSE DEATH, PERSONAL INJURY AND PROPERTY DAMAGE.

This document and other information from Parker Hannifin Corporation, its subsidiaries and authorized distributors provide product and/or system options for further investigation by users having technical expertise. It is important that you analyze all aspects of your application, including consequences of any failure, and review the information concerning the product or system in the current product catalog. Due to the variety of operating conditions and applications for these products or systems, the user, through its own analysis and testing, is solely responsible for making the final selection of the products and systems and assuring that all performance, safety and warning requirements of the application are met.

The products described herein, including without limitation, product features, specifications, designs, availability and pricing, are subject to change by Parker Hannifin Corporation and its subsidiaries at any time without notice.

Offer of Sale

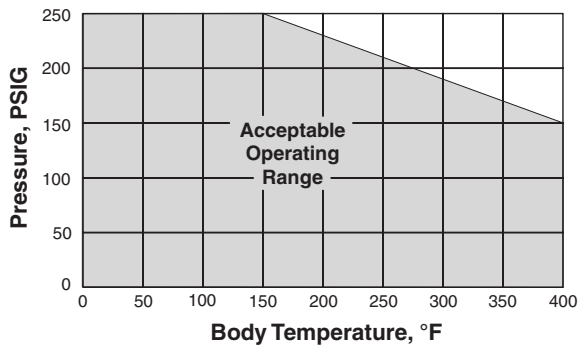
The items described in this document are hereby offered for sale by Parker Hannifin Corporation, its subsidiaries or its authorized distributors. This offer and its acceptance are governed by the provisions stated in the full "Offer of Sale".



Technical Specifications

- Maximum media pressure = 250 PSI (2" valve maximum = 230 PSI)
- Body sizes 1/2", 3/4", 1", 1 1/4", 1 1/2", 2"
- -40°F to 400°F (-40°C to 204°C) maximum temperature
- Actuator is field reversible, air to open, air to close
- Rolling style diaphragm provides uniform thrust
- Three actuator sizes: 37, 64, 135. Maximum 35 PSI on 37 and 64 sizes; maximum 25 PSI on 135 size.
- Stem diameter 7/16"
- Stem travel (stroke) 0.75" all sizes
- Multi-spring, low-profile actuators offer a 12 PSI control band. Other options available.
- 100% nitrogen gas tested
- Hardseat meets Class IV leakage standards; Duraseat™ meets Class VI standards

Body Pressure/Temperature Ratings



Materials of Construction

Part Name	Standard Material
Valve Body	Cast bronze ASTM B62
Plug, Hard Seat	17-4 stainless steel (linear & equal %)
Plug, Soft Seat	17-4 stainless steel with Duraseat (linear & equal %)
Seat	17-4 stainless steel, replaceable
Packing Nut	Cast bronze ASTM B62
Stem Packing	Combination of stainless steel filled PTFE and carbon filled PTFE seals; other options available
Bonnet	Brass ASTM B16
Packing Follower	Brass ASTM B16 with integral bearing
Stem Bearings	Engineered proprietary polymer
Yoke	Cast bronze, ASTM B62
Actuator Cover	Stamped steel with enamel finish. Stainless steel fasteners
Diaphragm	Molded EPDM reinforced with nylon fabric
Springs	Zinc-plated music wire

Flow Capacity & Pressure Drop

Body Size	Actuator Size	Flow Capacity Cv					
		Standard Trim Sizes				Reduced	
		Full					
1/2"	37,64	6	4	2.5	1.5	1	0.5
3/4"	37,64	8	4	2.5	1.5	1	0.5
1"	37,64	13	8	6	4	2.5	-
1-1/4"	37,64,135	20	13	8	-	-	-
1-1/2"	37,64,135	27	20	13	-	-	-
2"	64,135	50	27	20	-	-	-

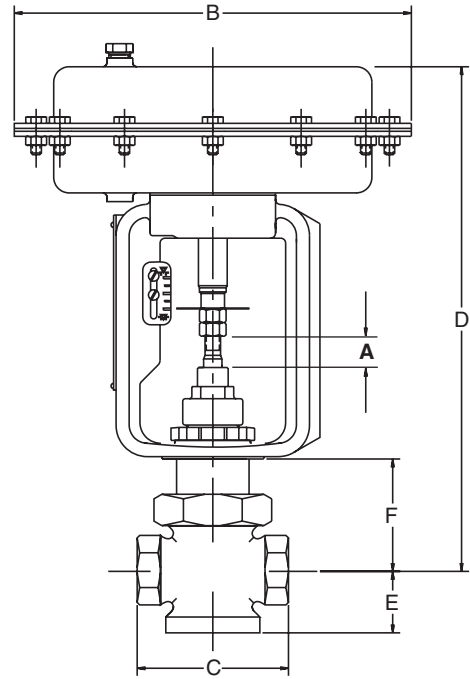
Actuator Selection

Air to Open Valves						
Set Distance, Dimension "A"	0.75	0.81	0.88	0.94	1.00	1.06
Dimension "A" for Graphite Packing	0.65	0.71	0.78	0.84	0.90	0.96
Pilot Pressure in Actuator at Which Valve Begins to Open	3	4	5	6	7	8

Air to Close Valves						
Set Distance, Dimension "A"	1.87	1.87	1.87	1.87	1.87	1.87
Dimension "A" for Graphite Packing	1.77	1.77	1.77	1.77	1.77	1.77
Pilot Pressure Required in Actuator for Valve to Shut Off	18	19	20	21	22	23

Port Size	Actuator Size	Cv, FLOW Capacity	Maximum System Shut Off Pressure (psi)						
			0-250	111-140	141-170	171-200	201-230	231-250	
1/2"	37	0.5, 1.0, 1.5, 2.5	-	-	-	-	-	-	
	64		4, 6	0-110	111-140	141-170	171-200	201-230	231-250
3/4"	37	4, 8	0-110	111-140	141-170	171-200	201-230	231-250	
	64		0-200	201-250	-	-	-	-	
1"	37	2.5	0-250	-	-	-	-	-	
	64		4, 6, 8	0-110	111-140	141-170	171-200	201-230	231-250
1"	37	13	0-70	71-100	101-120	121-140	141-160	161-190	
	64		0-140	141-180	181-220	221-250	-	-	
1 1/4"	37	8, 13	0-70	71-100	101-120	121-140	141-160	161-190	
	64		0-140	141-180	181-220	221-250	-	-	
1 1/4"	37	20	0-50	51-60	61-80	81-100	101-110	111-130	
	64		0-90	91-120	121-150	151-180	181-210	211-240	
1 1/2"	37	13	0-70	71-100	101-120	121-140	141-160	161-190	
	64		0-140	141-180	181-220	221-250	-	-	
1 1/2"	37	20, 27	-	0-50	51-60	61-70	71-90	91-100	
	64		0-70	71-90	91-120	121-140	141-160	161-180	
2"	64	20, 27, 50	0-160	161-200	201-250	-	-	-	
	135		-	0-50	51-70	71-80	81-90	91-110	
			0-90	91-120	121-150	151-170	171-200	201-230	

Note: All values are based on flow under seat.



Dimensions

Millimeter equivalent of inch dimensions given in ().

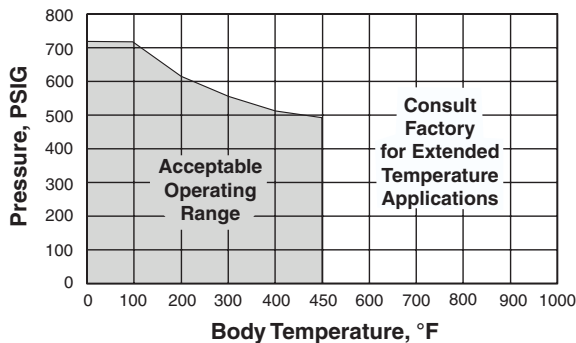
Body Size	A (Set Distance)	B			C	D			E	F
		37	64	135		37	64	135		
1/2"	See chart above	9.50 (241.3)	11.75 (298.5)	—	3.62 (91.9)	12.03 (305.6)	12.97 (329.4)	—	1.50 (38.1)	2.66 (67.6)
3/4"		9.50 (241.3)	11.75 (298.5)	—	3.62 (91.9)	12.03 (305.6)	12.97 (329.4)	—	1.50 (38.1)	2.66 (67.6)
1"		9.50 (241.3)	11.75 (298.5)	—	4.12 (104.6)	12.03 (305.6)	12.97 (329.4)	—	1.75 (44.5)	2.66 (67.6)
1 1/4"		9.50 (241.3)	11.75 (298.5)	16.25 (412.8)	5.38 (136.7)	12.10 (307.3)	13.04 (331.2)	13.53 (343.7)	2.25 (57.2)	2.73 (69.3)
1 1/2"		9.50 (241.3)	11.75 (298.5)	16.25 (412.8)	5.38 (136.7)	12.10 (307.3)	13.04 (331.2)	13.53 (343.7)	2.25 (57.2)	2.73 (69.3)
2"		—	11.75 (298.5)	16.25 (412.8)	7.50 (190.5)	—	13.96 (354.6)	14.45 (367.0)	2.50 (63.5)	3.65 (92.7)



Technical Specifications

- 300# Class stainless steel body per ANSI B16.34
- Body sizes 1/2", 1", 1½", 2"
- -40°F to 450°F (-40°C to 232°C) temperature range. For extended ranges, consult factory.
- Actuator is field reversible, air to open, air to close
- Rolling style diaphragm provides uniform thrust
- Three actuator sizes: 37, 64, 135. Maximum 35 PSI on 37 and 64 sizes; maximum 25 PSI on 135 size.
- Stem diameter 7/16"
- Stem travel (stroke) 0.75" all sizes
- Multi-spring, low-profile actuators offer a 12 PSI control band. Other options available.
- 100% nitrogen gas tested
- Hardseat meets Class IV leakage standards; Duraseat™ meets Class VI standards

Body Pressure/Temperature Ratings



Materials of Construction

Part Name	Standard Material
Valve Body	Investment cast 316 stainless steel with integrally machined seat
Plug, Hard Seat	17-4 stainless steel (linear & equal %)
Plug, Soft Seat	17-4 stainless steel with Duraseat (linear & equal %)
Seat	Full flow – integral to body Reduced orifice – 17-4 stainless steel
Packing Nut	Investment cast 316 stainless steel
Stem Packing	Combination of stainless steel filled PTFE and carbon filled PTFE seals; other options available.
Bonnet	Stainless steel type 316
Bonnet Flange	Investment cast 316 stainless steel secured with 18-8 stainless steel bolts
Bonnet Gasket	18-8 spiral wound gasket with graphite filler
Packing Follower	Stainless steel type 316 with integral bearing
Stem Bearings	Engineered proprietary polymer
Yoke	Cast bronze, ASTM B62 with stainless steel coating FDA approved for incidental food contact
Actuator Cover	Stamped steel with enamel finish, stainless steel fasteners
Diaphragm	Molded EPDM reinforced with nylon fabric
Springs	Zinc-plated music wire

Flow Capacity & Pressure Drop

Body Size	Actuator Size	Flow Capacity Cv					
		Standard Trim Sizes					
		Full	Reduced				
1/2"	37,64	6	4	2.5	1.5	1	0.5
1"	37,64	13	8	6	4	2.5	-
1-1/2"	37,64,135	27	20	13	-	-	-
2"	64,135	50	27	20	-	-	-

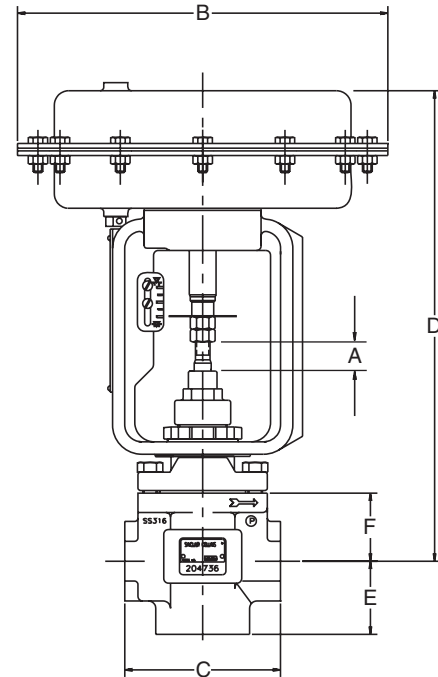
Actuator Selection

Air to Open Valves						
Set Distance, Dimension "A"	0,75	0,81	0,88	0,94	1,00	1,06
Dimension "A" for graphite packing	0,65	0,71	0,78	0,84	0,90	0,96
Pilot Pressure in Actuator at Which Valve Begins to Open	3	4	5	6	7	8

Air to Close Valves						
Set Distance, Dimension "A"	1,87	1,87	1,87	1,87	1,87	1,87
Dimension "A" for graphite packing	1,77	1,77	1,77	1,77	1,77	1,77
Pilot Pressure Required in Actuator for Valve to Shut Off	18	19	20	21	22	23

Port Size	Actuator Size	Cv, Flow Capacity	Maximum System Shut Off Pressure (psi)						
			0-660 0-720	720	-	-	-	-	-
1/2	37	.5	0-470	471-640	641-720	-	-	-	-
	64		0-720	-	-	-	-	-	-
1/2	37	1.0, 1.5	0-290	291-390	391-480	481-580	581-680	681-720	-
	64		0-510	511-690	691-720	-	-	-	-
1/2	37	2.5	0-110	111-140	141-170	171-200	201-230	231-250	-
	64		0-200	201-250	251-280	281-330	331-390	391-450	-
1	37	4, 6	0-290	291-390	391-480	481-580	581-680	681-720	-
	64		0-510	511-690	691-720	-	-	-	-
1	37	2.5	0-110	111-140	141-170	171-200	201-230	231-250	-
	64		0-200	201-250	251-280	281-330	331-390	391-450	-
1	37	4, 6, 8	0-70	71-100	101-120	121-140	141-160	161-190	-
	64		0-140	141-180	181-220	221-250	251-270	271-310	-
1	37	13	0-70	71-100	101-120	121-140	141-160	161-190	-
	64		0-140	141-180	181-220	221-250	251-270	271-310	-
1 1/2	37	13	0-250	251-330	331-420	421-500	501-590	591-670	-
	64		0-70	71-100	101-120	121-140	141-160	161-190	-
1 1/2	64	20, 27	0-140	141-180	181-220	221-250	251-270	271-310	-
	135		0-160	161-200	201-250	251-270	271-310	311-360	-
2	64	20, 27, 52	-	0-50	51-60	61-70	71-90	91-100	-
	135		0-70	71-90	91-120	121-140	141-160	161-180	-
2	64	20, 27, 52	0-90	91-120	121-150	151-170	171-200	201-230	-
	135		0-90	91-120	121-150	151-170	171-200	201-230	-

Note: All values are based on flow under seat.



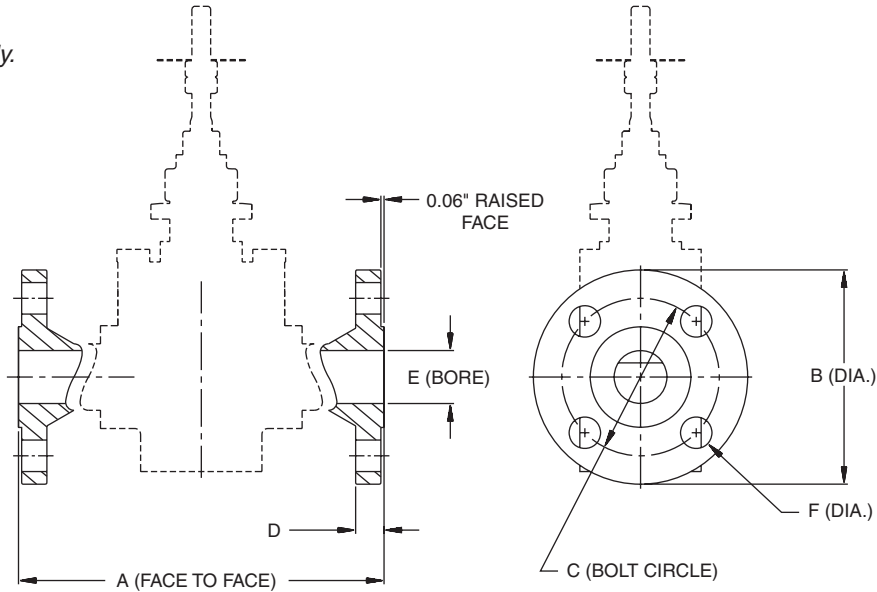
Dimensions

Millimeter equivalent of inch dimensions given in ().

Body Size	A (Set Distance)	B			C	D			E	F
		37	64	135		37	64	135		
1/2"	See chart above	9.50 (241.3)	11.87 (301.5)	—	3.10 (78.7)	12.00 (304.8)	12.94 (328.7)	—	1.50 (38.1)	2.62 (66.5)
1"		9.50 (241.3)	11.87 (301.5)	—	4.00 (101.6)	12.07 (306.6)	13.01 (330.5)	—	1.88 (47.8)	2.69 (68.3)
1 1/2"		9.50 (241.3)	11.87 (301.5)	16.09 (408.7)	5.00 (127.0)	13.11 (333.0)	14.05 (356.9)	14.55 (369.6)	2.44 (62.0)	3.73 (94.7)
2"		—	11.87 (301.5)	16.09 (408.7)	7.50 (190.5)	—	15.39 (390.9)	15.39 (390.9)	3.83 (97.3)	4.57 (116.1)

Flange Mounting

Flanges are available on stainless steel valves only.



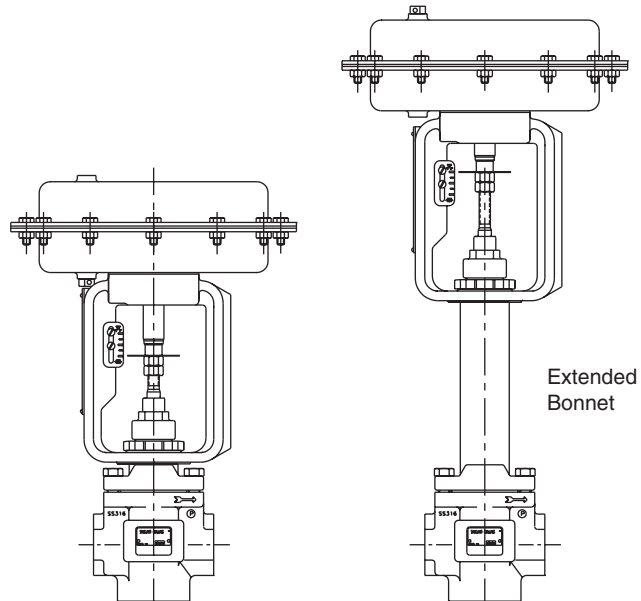
Dimensional Data

Body Size	150# Class						300# Class					
	A*	B	C	D	E	F	A*	B	C	D	E	F
1/2"	7.25 (184.2)	3.50 (88.9)	2.38 (60.5)	.44 (11.2)	.62 (15.7)	.62 (15.7)	7.50 (190.5)	3.75 (95.3)	2.62 (66.5)	.56 (14.2)	.62 (15.7)	.62 (15.7)
1"	7.25 (184.2)	4.25 (108.0)	3.12 (79.5)	.56 (14.2)	1.05 (26.7)	.62 (15.7)	7.75 (196.9)	4.88 (124.0)	3.50 (88.9)	.69 (17.5)	1.05 (26.7)	.75 (19.1)
1 1/2"	8.75 (222.3)	5.00 (127.0)	3.88 (98.6)	.69 (17.5)	1.61 (40.9)	.62 (15.7)	9.25 (235.0)	6.13 (155.7)	4.50 (114.3)	.81 (20.6)	1.61 (40.9)	.88 (22.4)
2"	11.25 (285.8)	6.00 (152.4)	4.75 (120.7)	.75 (19.1)	2.07 (52.6)	.75 (19.1)	11.75 (298.5)	6.50 (165.1)	5.00 (127.0)	.88 (22.4)	2.07 (52.6)	.75 (19.1)

* Face to face dimension per ISA-S75.03 except 2".

Extended Bonnet

Extended bonnet available for cryogenics or high temperature ranges. Consult your local representative or Sinclair Collins with specific application.



Pneumatic Positioner

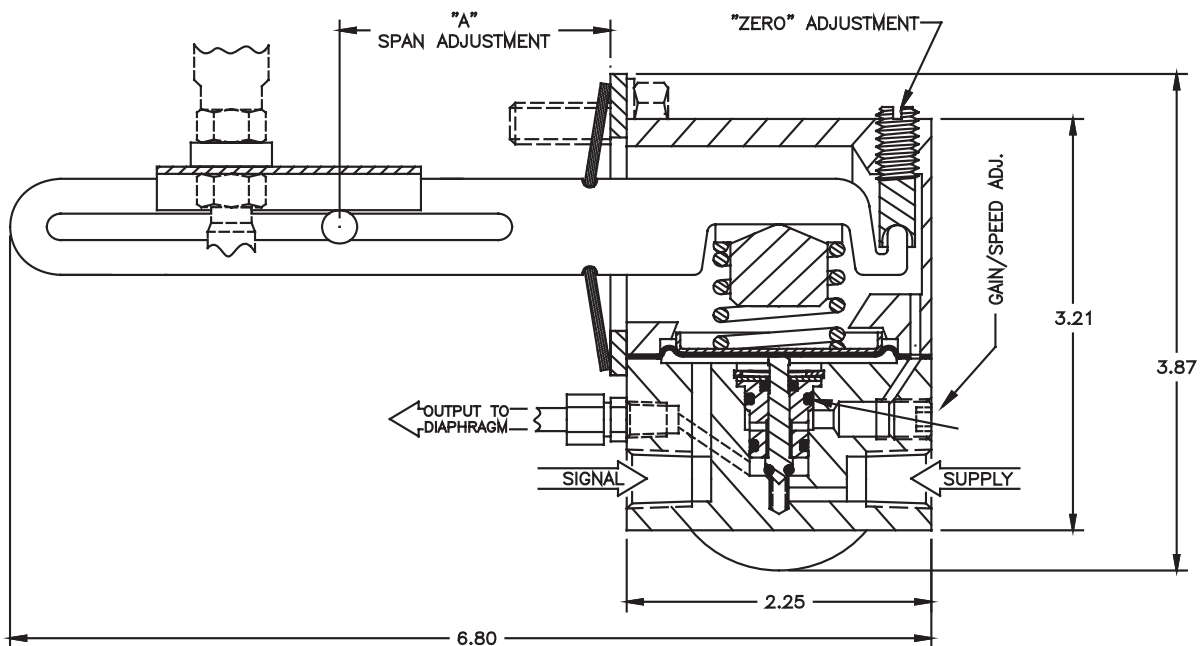
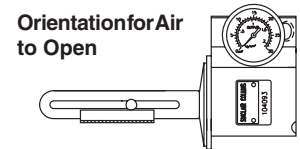
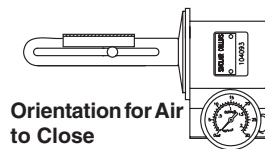
K10-1

Single acting positioner assures an exact relationship between controlled input signal and actuator valve stem position.

Specifications

Travel	3/4"
Signal Input	3-15 PSIG
Maximum Open Loop Gain	150:1
Minimum Open Loop Gain	50:1
Steady State Air Consumption @9 PSIG Signal & 30 PSIG Supply	.15 SCFM
Linearity	<+1.3% of Span
Hysteresis	<0.4% of Span
Dead Band	<0.2% of Span
Travel Time, 37 Actuator 3/4" Stroke @ 30 PSIG Supply*	1.2 Seconds, Air In 3.0 Seconds Air Out
Supply Pressure Effect	0.12% of Span
Ambient Temperature Effect	0.1% per 2°F
Ambient Temperature Range	-10° to +250°F
Connections	1/4" NPT Signal & Supply 1/8" NPT Output & Gauge
Manifold Body Material	Anodized Aluminum
Cover Material	Anodized Aluminum, Epoxy Coated
External Feedback Parts	Stainless Steel
Dimensions	2 1/2" x 3 1/4" x 3 3/4"
Weight	1.75 lbs.

* At maximum speed setting (gain screw flush)



I/P Transducer

K10-7

I/P 3-15 PSI output for direct actuator or with pneumatic positioner.

K10-9

I/P 1-18 output for direct actuation only.



Air Preparation Unit

K10-4

Filter/Regulator "piggyback" includes 1/4" NPT, 5 micron filter and 1-60 PSI relieving type regulator.

Gauge must be ordered separately.

Other units are available. Consult factory.



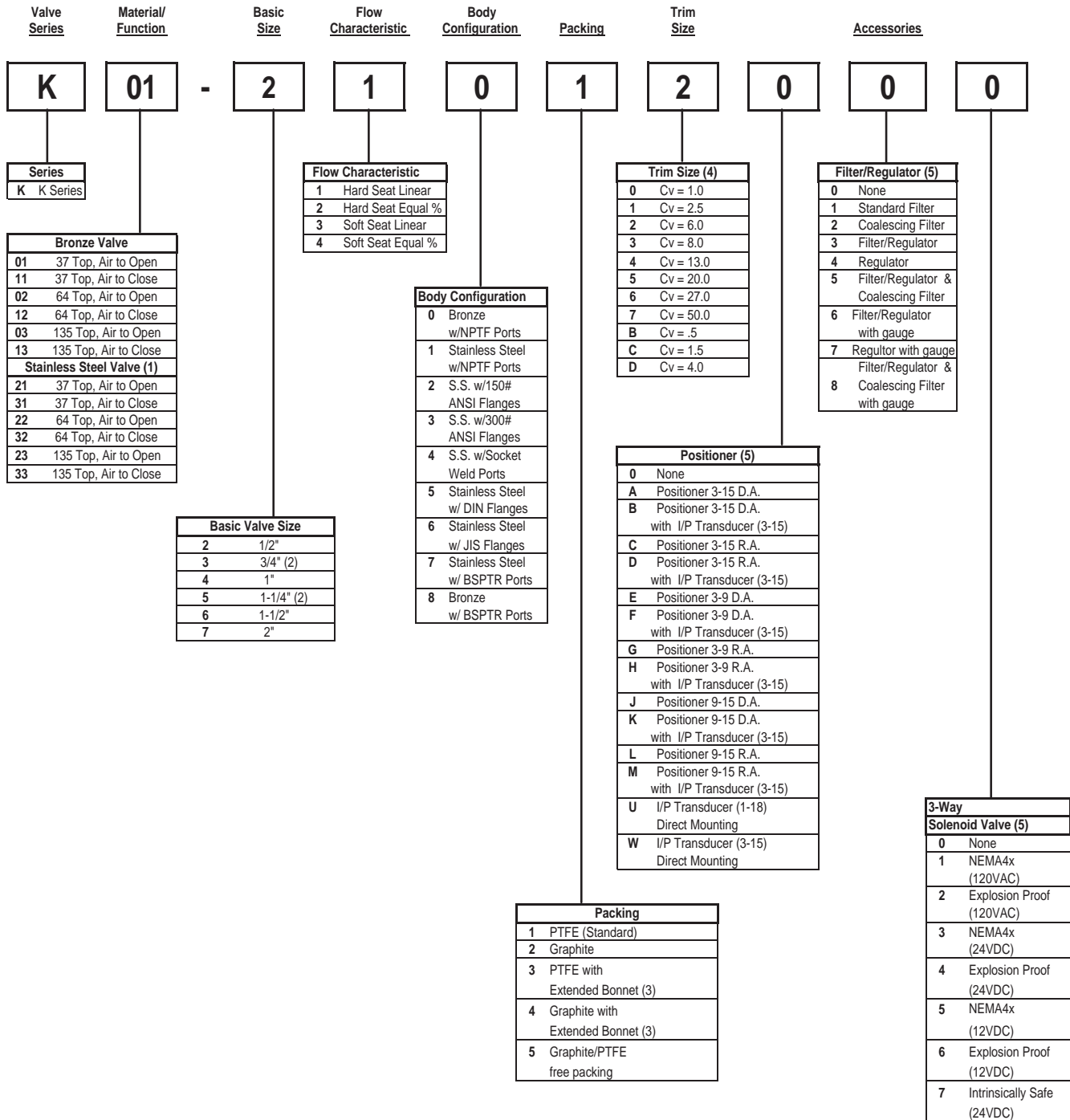
Solenoid Valve

K10-30

Three-way universal solenoid valve, 110 VAC, NEMA4x enclosure.

Other units are available. Consult factory.





- Notes:** (1) See pages 2 & 4 of catalog for body size/actuator combinations
 (2) Bronze only
 (3) Consult factory for specific applications
 (4) See pages 2 & 4 of catalog for body size/trim combinations
 (5) Includes installation charge unless ordered separately.

Example: K01-21012000 K Series, bronze air to open valve with 37 actuator, 1/2" linear hard seat body with NPTF ports, PTFE packing, Cv of 6, no accessories.

To size and select a process control valve, a number of factors must be considered. For more in-depth information, see following pages.

Valve Selection

- 1) **Service**
 - a) Modulating
 - b) On/Off
- 2) **Media**
 - a) Gas
 - b) Liquid
- 3) **System Pressure (P1)**
 - a) Maximum and minimum
- 4) **Pressure Drop (ΔP)**
 - a) Maximum and minimum
- 5) **Flow Required**
 - a) Maximum and minimum
- 6) **Actuation**
 - a) Air to Open (Fail to Close)
 - b) Air to Close (Fail to Open)
- 7) **Actuator Signal (Source)***
- 8) **Valve Characteristic**
 - a) Equal percentage
 - b) Linear
- 9) **Shutoff required**
 - a) Class IV
 - b) Class VI
- 10) **Body material**
 - a) Bronze
 - b) Stainless steel
- 11) **End connections**
 - a) Threaded ports
 - b) Flanges
 - c) Socket weld
- 12) **Packing (Seals)**
- 13) **Accessories**
 - a) Positioner
 - b) I-P
 - c) Airset
 - d) Solenoid valve

* The actuator signal can come from an I-P transducer and/or a positioner. If the signal is from an I-P, specify the output span of the unit.

Calculating Flow Capacity (Cv)

Pressure Drop (ΔP)

For sizing a control valve when the pressure drop is unknown, use 5% of the system pressure for systems with pressure greater than 200 PSI (1375.95 kPa). For systems with pressure less than 200 PSI (1375.95 kPa), use 10 PSI (68.95 kPa).

Liquid

$$Cv = \frac{q_f}{N_1 F_p Fr} \sqrt{\frac{G_f}{\Delta P}}$$

Choked flow*: $\Delta P \geq F_L^2 (P_1 - F_r P_v)$.

If actual ΔP is greater than the value for choked flow, use the lower of the two values for sizing.

Gas/Steam

Flow by Volume

$$Cv = \frac{q_g}{N_7 F_p P_1 Y} \sqrt{\frac{G_g T_1 Z}{x}}$$

Flow by Weight

$$Cv = \frac{w}{N_8 F_p P_1 Y} \sqrt{\frac{T_1 Z}{xM}}$$

Choked flow*: $\Delta P \geq P_1 F_{kxt}$

If actual ΔP is greater than the value for choked flow, substitute (F_{kxt}) for x.

Non-choked

$$Y = 1 - \frac{(x)}{3 F_{kxt}}$$

Choked

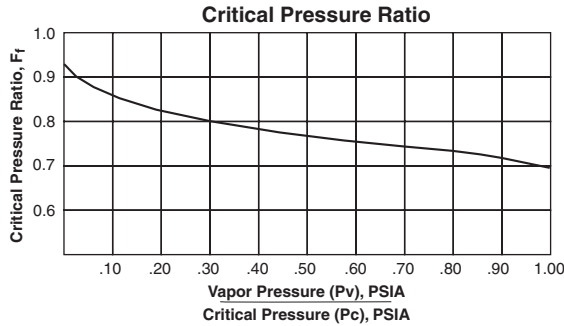
$$Y = 1 - \frac{(F_{kxt})}{3 F_{kxt}} = \frac{2}{3}$$

***Choked Flow**

This is the point where additional pressure drop will not result in an increase in flow.

Where:

- Cv Universal valve sizing coefficient
- Ff Liquid critical pressure ratio (see chart below). Use when the fluid has a high temperature and the vapor pressure is approaching that of the inlet pressure.



- Fk Ratio of specific heat factor to air = k/1.4
- FL Factor for the amount of pressure that a liquid recovers as it flows through the geometry of a valve and the effect it has on the maximum capacity. Representative value = 0.9
- Fp Piping geometry factor. This value is an adjustment to the Cv of a valve that is to be installed between pipe reducers. Although this factor can be crucial for rotary valves the effect on globe style valves is minimal. If the valve selected has a full size trim, an addition of 5% to the calculated Cv will be sufficient. If the valve has reduced trim, then the effect of the reducers is even less and this adjustment can be ignored.
- Fr Factor for Reynolds number. Use a factor of (1) unless the fluid has a viscosity greater than 40 centistokes or Cv's less than 0.2. This adjusts the Cv for non turbulent flow conditions.
- Gf Specific gravity of liquids at flowing temperatures relative to water @ 60°F.
- Gg Specific gravity of gas relative to air with both at standard pressure and temperature.
- k Ratio of specific heat. Air = 1.4, Steam = 1.3
- M Molecular weight (steam has a molecular weight of 18.03)
- P1 Upstream pressure (absolute)
- P2 Downstream pressure (absolute)
- Pc Thermodynamic critical pressure.
- Pv Vapor pressure. The pressure and temperature at which a fluid begins to boil
- ΔP Pressure drop (P1 - P2)
- qf Flow rate by volume – liquid
- qg Flow rate by volume – gas
- T Absolute temperature.
US = R (460 + °F) SI = K (273 + °C)
- Vc Vena contracta. This is the point downstream of the valve orifice where the flow is at the greatest velocity and lowest pressure.

- w Flow rate by weight
- x Ratio of pressure drop to upstream pressure ($\Delta P / P_1$)
- xt Value of x when Y is at the lowest limit (.667). At this point an additional increase in ΔP will not result in an increase of flow. Representative value = 0.7
- Y Expansion factor. This factor represents the change of the specific weight of a gas as it passes from the inlet of the valve to the vena contracta (Vc).
- Z Compressibility Factor. This is a function for determining the relationship of the density of a gas to the actual temperature and pressure conditions. At pressures below 720 PSI, the effects are minimal and a factor of (1) can be used.

Additional Factors:

- Kc Cavitation index. This describes the point where the flow begins to depart from the proportional relationship of flow versus the square root of pressure drop.
 $Kc = \Delta P / P_1 - Pv$
- ΔPm The amount of pressure drop required to produce choked flow

$$\Delta Pm = FL^2 (P_1 - FfPv) \text{ in PSI}$$

Commonly Used Units		
	U.S.	S.I.
Steam and vapors (weight units)	lb/hr	kg/hr
Gases (volumetric units)	scfh	m ³ /h
Liquids (volumetric units)	gpm	m ³ /h
Pressure	psia	kPa

Values for Use in Calculations		
	U.S.	S.I.
N1	1.0	.0865
N7	1,360	4.17
N8	19.3	.948
qf	gpm	m ³ /h
qg	scfh	m ³ /h
P	psia	kPa
w	lb/hr	kg/h
T	R (460 + °F)	K (273 + °C)

Common Subscripts	
1	upstream
2	downstream
f	liquid
g	gas

Trim Size

In the discussion of sizing and flow characteristics for Sinclair Collins valves, the components referred to as trim (full or reduced) will be the plug/stem assembly and the valve seat.

Actuator Selection

Air to Open and Air to Close

Actuators can be ordered air to open (fail to close) or air to close (fail to open).

Actuator Sizing

Select valve body size based on Cv and system requirements. Identify the maximum system pressure (P₁) that the valve has to seal against.

The tables to the right show pressure required to actuate an air to open or air to close actuator for various system pressure ranges. For example, a 1" valve with a 37 actuator air to open, will begin to actuate with a 3 PSI signal against a system pressure up to 70 PSI (full open at 15). If the same valve is used in a system that has a pressure of 150 PSI, then 7 PSI would be required to the actuator to start opening and 19 PSI would be required to fully open the valve.

Actuation Pressure

If an I-P is supplying the air pressure (PSI) to the actuator, then identify the output span of the unit for proper selection. A common output range is 3-15 PSI. However, additional pressures and spans are available. The charts on the right identify the minimum pressure required to actuate the valve. Once the minimum pressure is identified, an additional 12 PSI will fully extend the actuator. Please note that an air to close valve requires a pressure greater than 15 PSI for shutoff. Therefore, an I-P will have to be selected with an output sufficient to met this requirement or consider the use of a positioner.

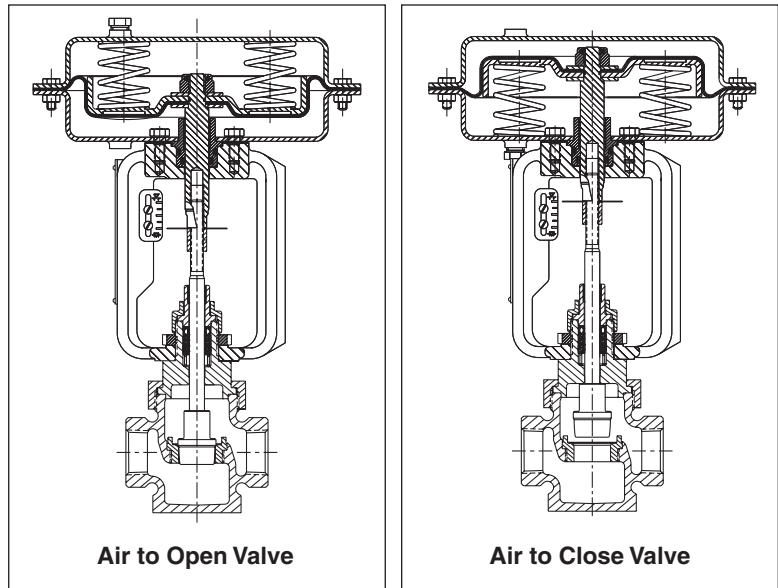
If a positioner is used, select an actuator based on the valve size and the system pressure. This is possible because the positioner is regulated by the valve's stem position and therefore can supply a higher pressure (PSI) to the actuator.

Shutoff

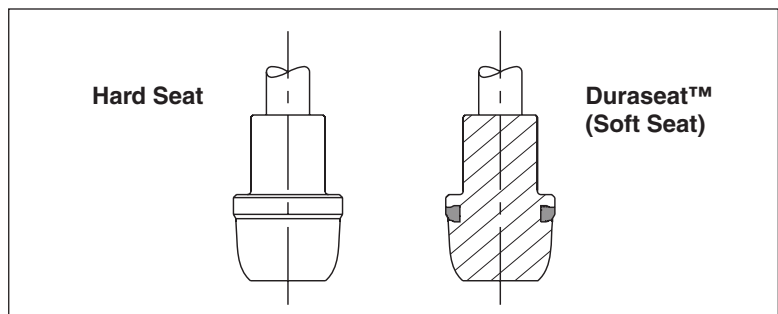
K Series valves are available with either hard or soft seat. Normally the hard seat offers Class IV sealing. For Class VI shutoff, Sinclair Collins features the exclusive Duraseat™ that combines the sealing qualities of PTFE with the toughness of stainless steel to the plug.

Class IV Sealing – Leakage rate of 0.01% of rated valve capacity

Class VI Sealing – Maximum permissible leakage associated with resilient seating valves. Expressed as bubbles per min as per RP39.6*.



Air to Open							
Set Distance "A"	0.75	0.81	0.88	0.94	1.00	1.06	
PSI to Actuator at which Stroke Starts	3	4	5	6	7	8	
Air to Close							
Set Distance "A"	1.87	1.87	1.87	1.87	1.87	1.87	
PSI to Actuator Required For Shutoff	18	19	20	21	22	23	
Line/System Pressure to Shut-Off							
Port	Actuator	Pressure Range (PSI)					
1/2"	37	0-110	111-140	141-170	171-200	201-230	231-250
	64	0-200	201-250				
3/4"	37	0-110	111-140	141-170	171-200	201-230	231-250
	64	0-200	201-250				
1"	37	0-70	71-100	101-120	121-140	141-160	161-190
	64	0-140	141-180	181-220	221-250		
1 1/4"	37	0-50	51-60	61-80	81-100	101-110	111-130
	64	0-90	91-120	121-150	151-180	181-210	211-240
	135	0-200	201-250				
1 1/2"	37	—	0-50	51-60	61-70	71-90	91-100
	64	0-70	71-90	91-120	121-140	141-160	161-180
	135	0-160	161-200	201-250			
2"	64	—	0-50	51-70	71-80	81-90	91-110
	135	0-90	91-120	121-150	151-170	171-200	201-230



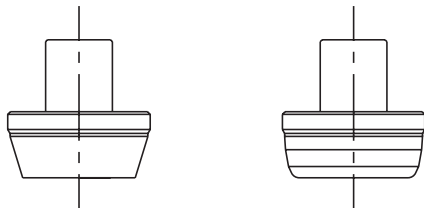
Flow Characteristic

Flow characteristic is the relationship in a valve between a change of signal to the actuator and a corresponding change in flow.

Quick Opening – Normally used for on/off service and not throttling applications. A quick open contour is designed for a rapid increase in flow.

Equal % – Equal increments of stem travel will yield an equal percentage of change to the existing flow. In the installed condition, this design becomes more linear with a decreasing proportion of pressure drop across the valve.

Linear – Equal increments of stem travel will yield equal increments of flow. This is represented by a straight line on a chart depicting flow vs. stem travel. If smaller proportions of the system pressure drop are taken across the valve, this design results in a flow similar to a quick opening plug.



Linear Plug

Equal %

NOTE: Many times a valve is sized at approximately 50% of capacity for various reasons. In this condition, a linear plug will use only 50% of the valve stroke. An equal percentage design will use approximately 80% of its stroke under the same conditions and therefore offer a larger span of control.

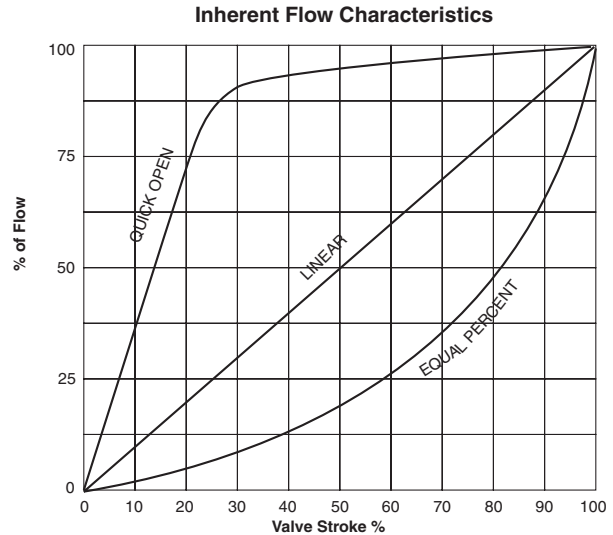
Installed Flow Characteristics

These charts graphically represent how flow through a valve changes in relation to the valve stroke for three common flow characteristics. The "inherent" graph reflects a constant pressure drop that is maintained throughout the stroke of the valve. The "installed" graph reflects a pressure drop that changes according to the valve stroke and the corresponding change in flow.

The graphs do not reflect piping losses that could affect an installed valve. These losses would further exaggerate the installed curve in relation to the inherent curve.

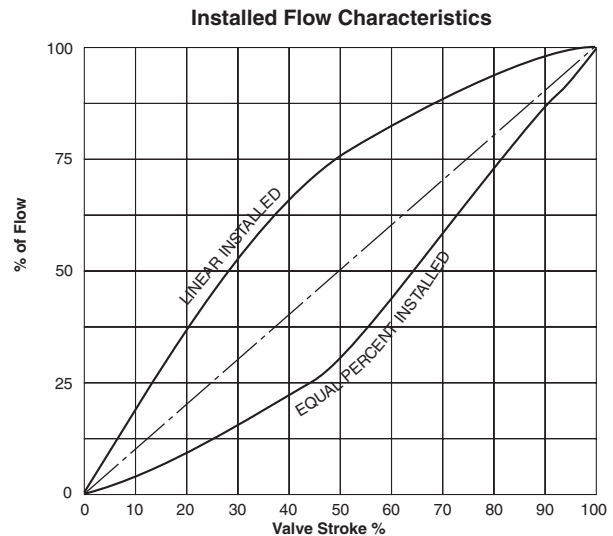
Inherent Flow Characteristic

This is the flow characteristic of the valve as designated by the manufacturer. It does **not** include system variables.



Installed flow characteristic

The installed flow characteristic of the valve does include certain system variables. This will better reflect the performance of the valve installed in a system.



% Stroke vs. Cv

Bronze Valves, Linear Plug

Valve Size	Trim Size	% Stroke									
		10	20	30	40	50	60	70	80	90	100
1/2"	6.0	0.50	1.80	2.70	3.50	4.20	4.70	5.20	5.80	6.20	6.3
	2.5	0.13	0.51	0.88	1.24	1.53	1.77	2.01	2.25	2.44	2.76
	1.0	0.12	0.23	0.34	0.45	0.55	0.64	0.73	0.82	0.90	1.0
3/4"	8.0	0.60	1.80	3.00	3.90	4.70	5.30	6.10	6.80	7.60	8.0
	2.5	0.13	0.51	0.88	1.24	1.53	1.77	2.01	2.25	2.44	2.76
	1.0	0.12	0.23	0.34	0.45	0.55	0.64	0.73	0.82	0.90	1.00
1"	13.0	1.30	2.80	4.20	5.40	6.50	7.20	8.10	9.70	11.00	13.0
	8.0	0.96	1.90	2.80	3.67	4.64	5.49	6.24	6.83	7.43	8.0
	6.0	0.98	1.85	2.49	2.98	3.47	3.98	4.50	4.85	5.35	6.0
	2.5	0.13	0.54	0.93	1.28	1.60	1.86	2.11	2.32	2.45	2.70
1 1/4"	20.0	1.3	3.9	6.2	8.2	10.3	12.3	14.4	16.5	19.1	21.5
	13.0	1.3	2.6	3.9	5.2	6.5	7.8	9.1	10.4	11.7	13.0
	8.0	0.60	1.80	3.00	3.90	4.70	5.30	6.10	6.80	7.60	8.0
1 1/2"	27.0	2.8	6.2	9.2	12.2	15.0	17.6	20.4	22.5	25.9	27.0
	20.0	1.3	3.9	6.2	8.2	10.3	12.3	14.4	16.5	19.1	21.5
	13.0	1.3	2.6	3.9	5.2	6.5	7.8	9.1	10.4	11.7	13.0
2"	50.0	5.3	10.3	15.3	20.7	25.7	31.6	36.4	40.5	46.1	50.0
	27.0	2.8	6.2	9.2	12.2	15.0	17.6	20.4	22.5	25.9	27.0
	20.0	1.3	3.9	6.2	8.2	10.3	12.3	14.4	16.5	19.1	21.5

Bronze Valves, Equal % Plug

Valve Size	Trim Size	% Stroke									
		10	20	30	40	50	60	70	80	90	100
1/2"	6.0	0.30	0.50	0.60	0.70	1.00	1.50	2.20	2.90	4.20	6.3
	2.5	0.05	0.07	0.09	0.21	0.32	0.61	0.91	1.33	1.80	2.58
	1.0	0.04	0.05	0.06	0.08	0.15	0.23	0.39	0.56	0.81	1.00
3/4"	8.0	0.40	0.50	0.70	1.10	1.70	2.30	4.10	5.90	7.30	8.0
	2.5	0.05	0.07	0.09	0.21	0.32	0.61	0.91	1.33	1.80	2.58
	1.0	0.04	0.05	0.06	0.08	0.15	0.23	0.39	0.56	0.81	1.00
1"	13.0	0.50	0.41	0.72	1.02	1.70	3.60	6.50	9.00	11.10	13.0
	8.0	0.30	0.30	0.41	0.72	1.02	2.45	3.72	5.38	6.68	8.0
	6.0	0.33	0.43	0.61	0.82	1.13	1.46	2.04	2.72	4.00	6.0
	2.5	0.05	0.07	0.09	0.21	0.32	0.61	0.91	1.33	1.80	2.58
1 1/4"	20.0	0.8	1.7	2.4	3.8	5.1	6.3	9.3	14.1	16.4	20.0
	13.0	0.3	0.5	0.7	1.1	1.6	2.5	3.8	5.7	8.6	13.0
	8.0	0.40	0.50	0.70	1.10	1.70	2.30	4.10	5.90	7.30	8.0
1 1/2"	27.0	0.9	1.7	2.8	4.8	7.1	12.1	17.5	21.8	24.4	27.0
	20.0	0.8	1.5	2.4	3.5	4.7	6.2	9.2	13.2	16.1	19.6
	13.0	0.3	0.5	0.7	1.1	1.6	2.5	3.8	5.7	8.6	13.0
2"	50.0	1.6	3.1	5.2	9.7	20.5	28.4	35.5	43.5	49.5	52.7
	27.0	0.9	1.7	2.8	4.8	7.1	12.1	17.5	21.8	24.4	27.0
	20.0	0.8	1.5	2.4	3.5	4.7	6.2	9.2	13.2	16.1	19.6

% Stroke vs. Cv

Stainless Steel Valves, Linear Plug

Valve Size	Trim Size	% Stroke									
		10	20	30	40	50	60	70	80	90	100
1/2"	6.0	1.00	2.10	3.10	4.00	4.10	4.30	4.80	5.10	5.50	6.0
	2.5	0.13	0.51	0.88	1.24	1.53	1.77	2.01	2.25	2.44	2.76
	1.0	0.12	0.23	0.34	0.45	0.55	0.64	0.73	0.82	0.90	1.00
1"	13.0	1.30	2.80	4.20	5.40	6.50	7.20	8.10	9.70	11.00	12.0
	8.0	0.96	1.90	2.80	3.67	4.64	5.49	6.24	6.83	7.43	8.0
	6.0	0.98	1.85	2.49	2.98	3.47	3.98	4.50	4.85	5.35	6.0
	2.5	0.13	0.54	0.93	1.28	1.60	1.86	2.11	2.32	2.45	2.70
1½"	27.0	2.3	5.7	9.3	12.0	14.6	16.8	19.0	20.9	25.1	27.7
	20.0	1.3	3.9	6.2	8.2	10.3	12.3	14.4	16.5	19.1	21.5
	13.0	1.3	2.6	3.9	5.2	6.5	7.8	9.1	10.4	11.7	13.0
2"	50.0	4.7	10.8	15.9	20.5	25.1	30.1	34.7	39.5	46.6	52.1
	27.0	2.3	5.7	9.3	12.0	14.6	16.8	19.0	20.9	25.1	27.7
	20.0	1.3	3.9	6.2	8.2	10.3	12.3	14.4	16.5	19.1	21.5

Stainless Steel Valves, Equal % Plug

Valve Size	Trim Size	% Stroke									
		10	20	30	40	50	60	70	80	90	100
1/2"	6.0	0.40	0.50	0.70	1.00	1.60	2.10	3.30	4.60	5.70	6.0
	2.5	0.05	0.07	0.09	0.21	0.32	0.61	0.91	1.33	1.80	2.58
	1.0	0.04	0.05	0.06	0.08	0.15	0.23	0.39	0.56	0.81	1.00
1"	12.0	0.49	0.80	1.10	1.80	2.50	3.30	6.10	7.40	10.60	12.0
	8.0	0.30	0.41	0.72	1.02	1.70	2.45	3.72	5.38	6.68	8.0
	6.0	0.33	0.43	0.61	0.82	1.13	1.46	2.04	2.72	4.00	6.0
	2.5	0.05	0.07	0.09	0.21	0.32	0.61	0.91	1.33	1.80	2.58
1½"	27.0	1.2	2.0	3.3	5.4	7.6	12.3	18.9	24.1	26.3	27.0
	20.0	0.8	1.5	2.4	3.5	4.7	6.2	9.2	13.2	16.1	19.6
	13.0	0.3	0.5	0.7	1.1	1.6	2.5	3.8	5.7	8.6	13.0
2"	50.0	1.9	3.6	6.1	11.9	20.5	28.0	35.8	44.4	50.8	53.4
	27.0	0.9	1.7	2.8	4.8	7.1	12.1	17.5	21.8	24.4	27.0
	20.0	0.8	1.5	2.4	3.5	4.7	6.2	9.2	13.2	16.1	19.6

